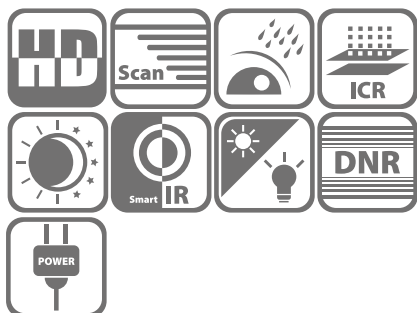


DS-2CE16DOT-IR(P)

HD1080P IR Bullet Camera



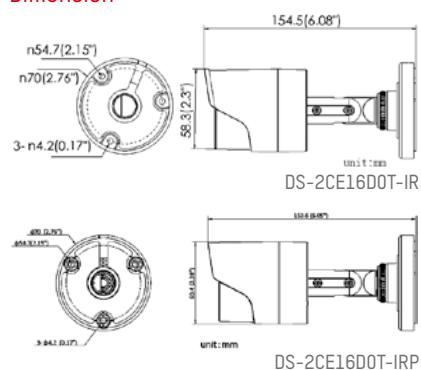
Key features

- 2 Megapixel high-performance CMOS
- Analog HD output, up to 1080P resolution
- True Day/Night, Smart IR
- Up to 20m IR distance
- IP66 weatherproof

Available Models

DS-2CE16DOT-IR, DS-2CE16DOT-IRP

Dimension



Accessories



DS-1280ZJ-XS
Junction box



DS-1H18 Video
Balun



X41T Camera
Tester

DS-2CE16DOT-IR

DS-2CE16DOT-IRP

Camera	DS-2CE16DOT-IR	DS-2CE16DOT-IRP
Image Sensor	2MP CMOS Image Sensor	
Signal System	PAL/NTSC	
Effective Pixels	1920(H)*1080(V)	
Min. illumination	0.01 Lux @ (F1.2,AGC ON),0 Lux with IR	
Shutter Time	1/25(1/30)s to 1/50,000s	
Lens	2.8mm, 3.6mm, 6mm optional Angle of View: 103°(2.8mm), 82.2°(3.6mm), 54°(6mm)	
Lens Mount	M12	
Day & Night	ICR	
Angle Adjustment	Pan: 0 - 360°, Tilt: 0 - 180°, Rotation: 0 - 360°	
Synchronization	Internal synchronization	
Video Frame Rate	1080p@25fps/1080p@30fps	
HD Video Output	1 Analog HD output	
S/N Ratio	>62dB	
General		
Operating Conditions	-40 °C - 60 °C (-40 °F - 140 °F), Humidity 90% or less (non-condensing)	
Power Supply	12 VDC±15%	
Power Consumption	Max. 4W	
Protection Level	IP66	
IR Range	Up to 20m	
Dimensions	Φ70×149.5mm (Φ2.76"×5.89")	Φ70×154mm (Φ2.76"×6.069")
Weight	400g	300 g